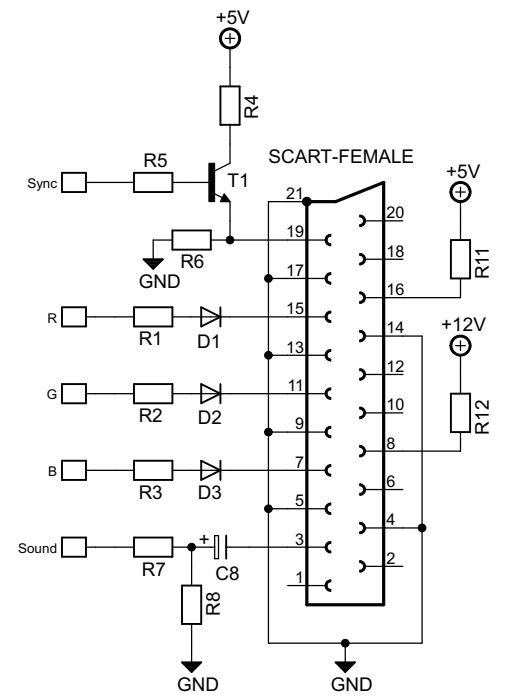
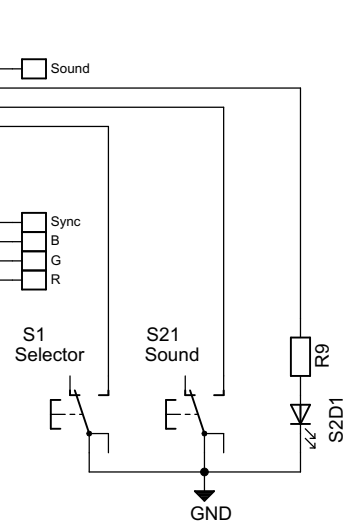


- Components List**
- R1, R2, R3, R7=560
 - R4=330
 - R5, R10=10K
 - R6=150
 - R8, R9=1K
 - R11=270
 - R12=100
 - C1, C2=22p
 - C3, C4, C5=100n
 - C6=1000uF/25V
 - C7=1000uF/16V
 - C8=1uF/16V
 - T1=BC547B
 - D1, D2, D3=1N4148
 - D4=1N4001
 - Q1=Crystal 20MHZ
 - IC1=ATtiny2313-20P
 - IC2=7805



- H1 MOUNT-PAD-ROUND2.8
- H2 MOUNT-PAD-ROUND2.8
- H3 MOUNT-PAD-ROUND2.8
- H4 MOUNT-PAD-ROUND2.8

 http://dselec.wordpress.com	
TITLE: PAL B pattern generator	
Document Number: 090905-1	REU: 1.0
dselecdim@gmail.com	Sheet: 1/1

